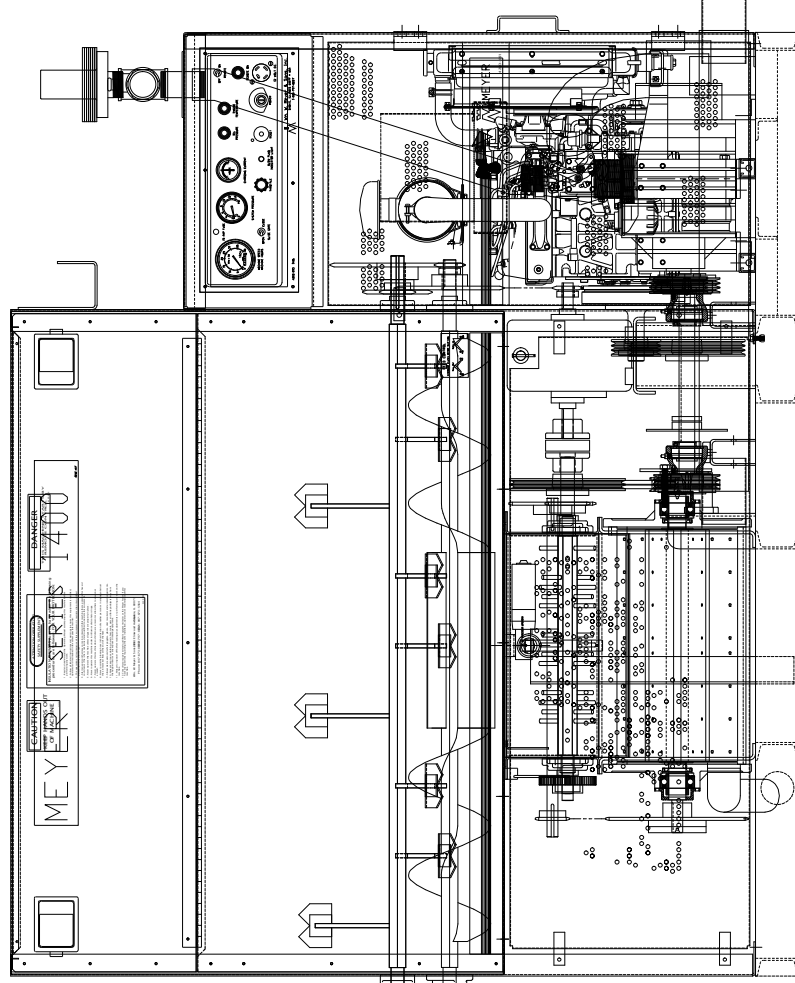
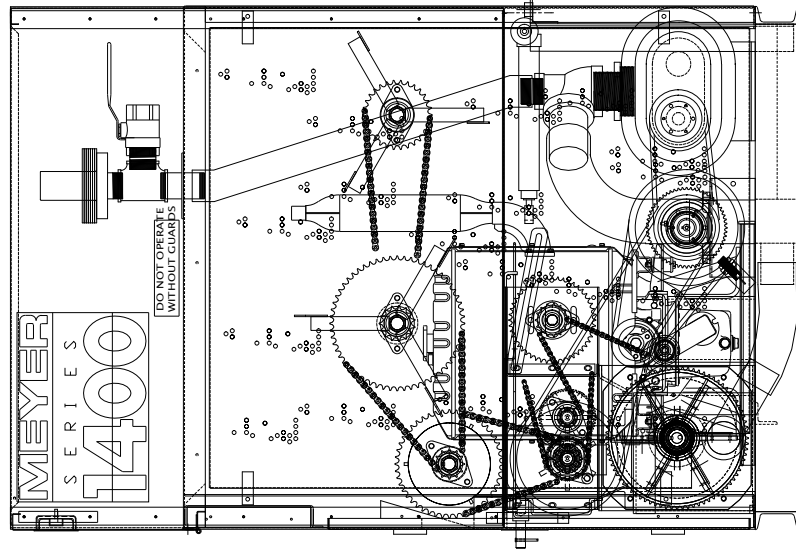
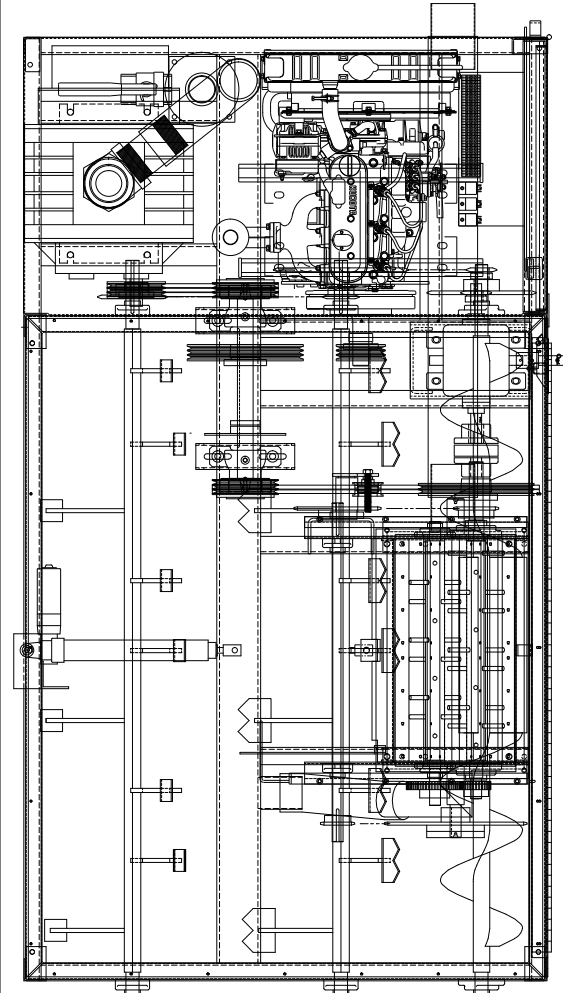


1406 IB MACHINE

MATERIAL LIST			
ITEM	PART NO.	DESCRIPTION	QTY.
1	4200-002	1400 COMMON MACHINE ASSEMBLY	1
2	4200-090	1406 ELECTRICAL PANEL ASSEMBLY	1
3	4200-117	1406 ENGINE ASSEMBLY PACKAGE	1
4	4200-121	1400 DECAL PACKAGE	1



REVISIONS	

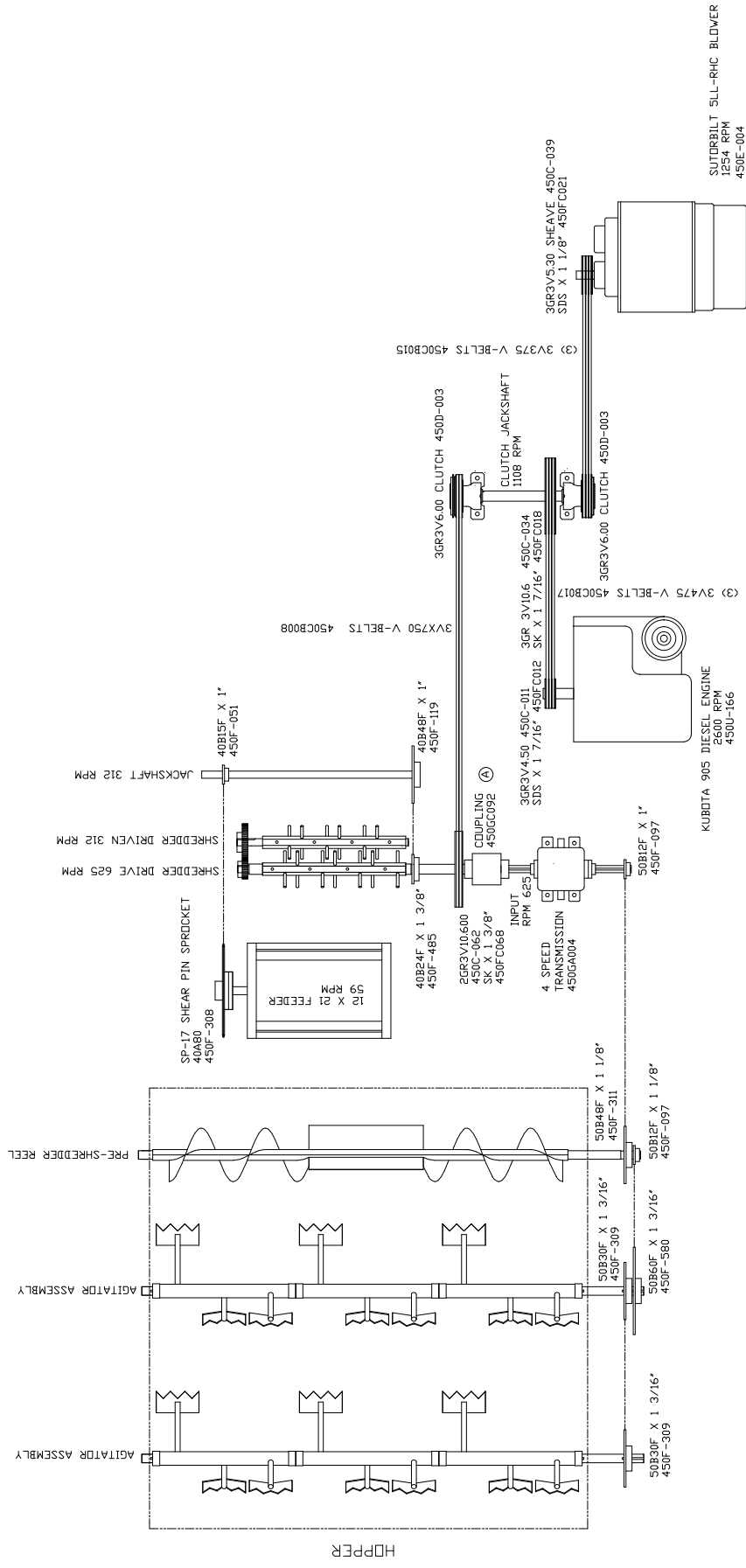
WM. W. MEYER & SONS, INC.
SKOKIE, ILLINOIS

MACHINE ASSEMBLY
1400 I.B. MACHINE

DO NOT SCALE DRAWING

This drawing and the information contained within is the sole property of Wm. W. Meyer and Sons, Inc. No part of this drawing or the information herein may be reproduced, stored in a retrieval system, or transmitted in any form or by any means, electronic, mechanical, photocopying, recording, or by any information storage and retrieval system, without the prior written permission of Wm. W. Meyer and Sons, Inc. For use for any other purpose other than for which it is specifically furnished.

OUR S.O. NO.	REF. S.O. NO.
DRAWN TCB	DATE 5-18-00
APPROVED	SCALE 1/8
	DRAWING NUMBER 4200-034

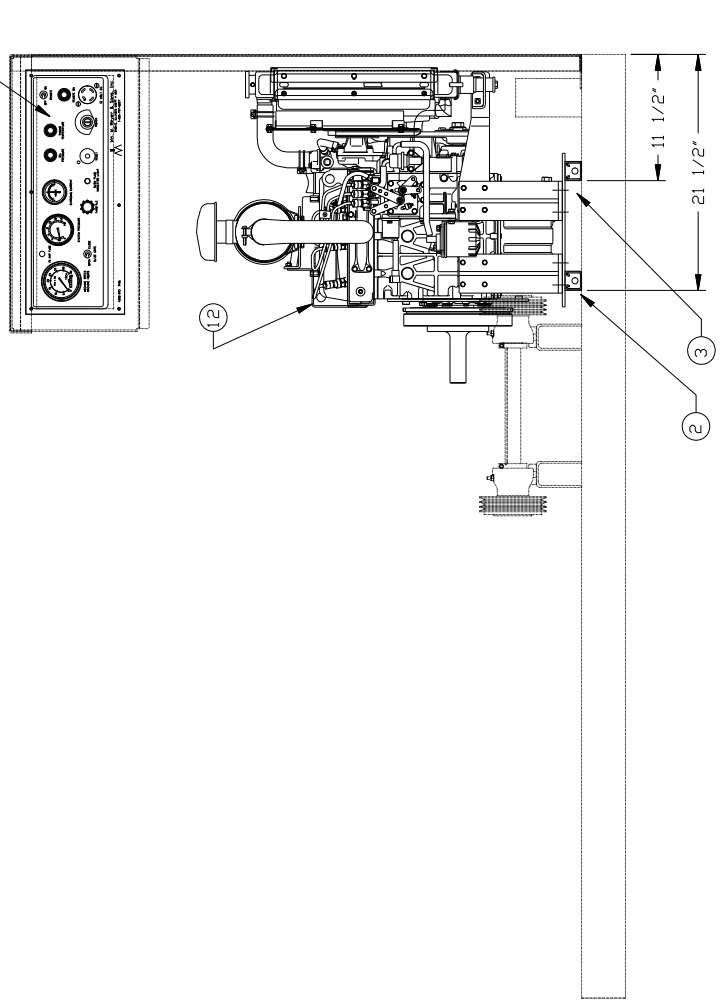
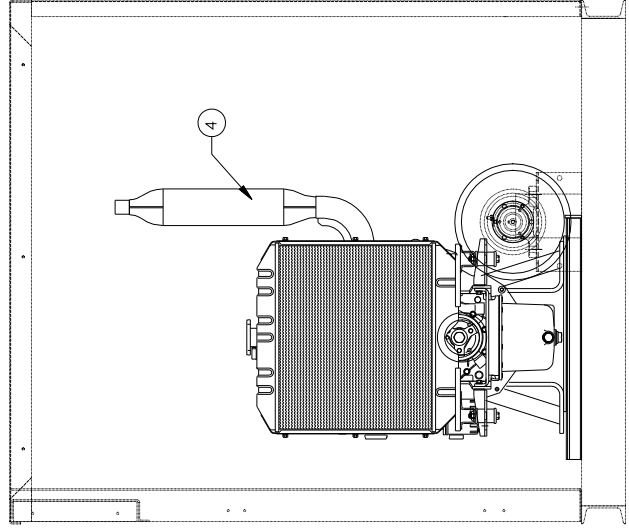
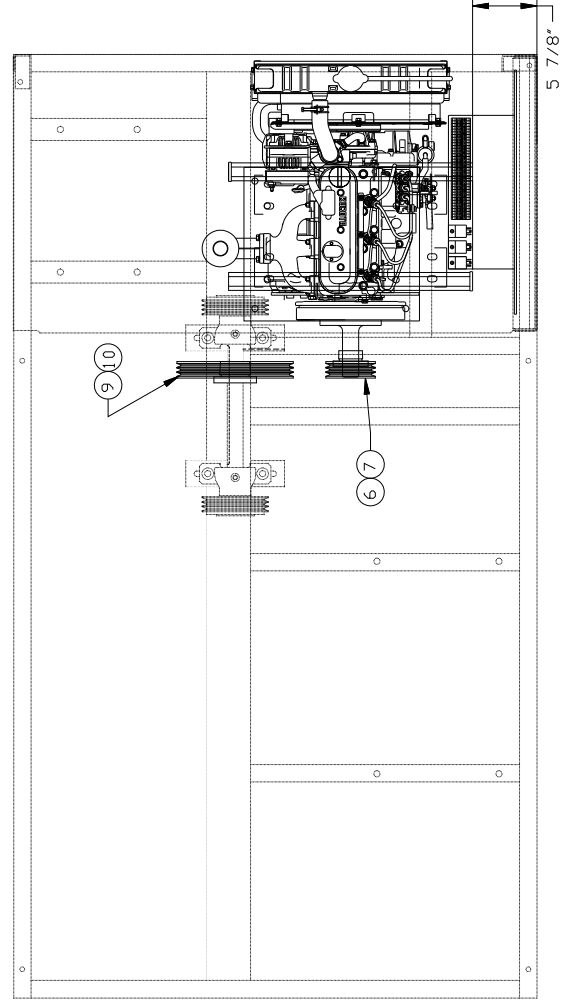


A	1-16-02	CHANGED COUPLING	NV
REVISIONS			

WM. W. MEYER & SONS, INC.
SKOKIE, ILLINOIS
1406 DRIVE LAYOUT

OUR S.O. NO.	REF. S.O. NO.
DRAWN TCB	DATE 10-26-95
APPROVED	SCALE NONE
DRAWING NUMBER 4200-062	

MATERIAL LIST			
ITEM	PART NO.	DESCRIPTION	QTY.
1	450JH211	3/8" - 16 LOCKNUT	2
2	4200-112	ENGINE RAIL WELDMENT	2
3	4200-060	ENGINE TIGHTNER WELDMENT	2
4	450U-166	KUBOTA 905-D DIESEL ENGINE	1
5	420J-195	ENGINE MOUNTING PLATE	1
6	450C-011	3GR3V4.50 SHEAVE	1
7	450FC012	SDS X 1 7/16" BUSHING	1
8	450CB173	3/ 3V475 V-BELT	1
9	450C-034	3GR3V10.6 SHEAVE	1
10	450FC018	SK X 1 7/16" BUSHING	1
11	420P-119	BATTERY BOX	1
12	420P-199	AIR CLEANER BRACKET	1
13	420Z-032	BLOWER INLET FLASHING	1
14	420Z-031	EXHAUST FLASHING	1
15	420P-093	3" INLET PIPE	1
16	450U-127	GAS TANK	2
17	450PK149	1/4" CLOSE NIPPLE	2
18	450PZ038	1/4" MNPT MALE QUICK COUPLER	3
19	450PZ037	1/4" FNPT FEMALE QUICK COUPLER	3
20	450PZ039	1/4" BARBED HOSE FITTING	2
21	450PT051	HOSE CLAMP 5/16" - 5/8"	8
22	450PS135	5/16" ID FUEL LINE	9FT
23	450PS134	1/4" ID FUEL LINE	9FT
24	450PK293	1/4" SHORT NIPPLE	2
25	450PK028	1/4" 90° ELBOW	2



DO NOT SCALE DRAWING
 This drawing and the information contained within it is the sole property of Wm. W. Meyers and Sons, Inc. Borrower's agreement that it shall not be reproduced, copied, or used for any other purpose other than for which it is specifically furnished.

REVISONS		OUR S.O. NO.	REF. S.O. NO.
B	7-26-05	ADDED ENGINE MOUNTING PLATE 420J-195	NV
A	1-10-05	REVISED ENGINE RAIL WELDMENT LOCATION	NV

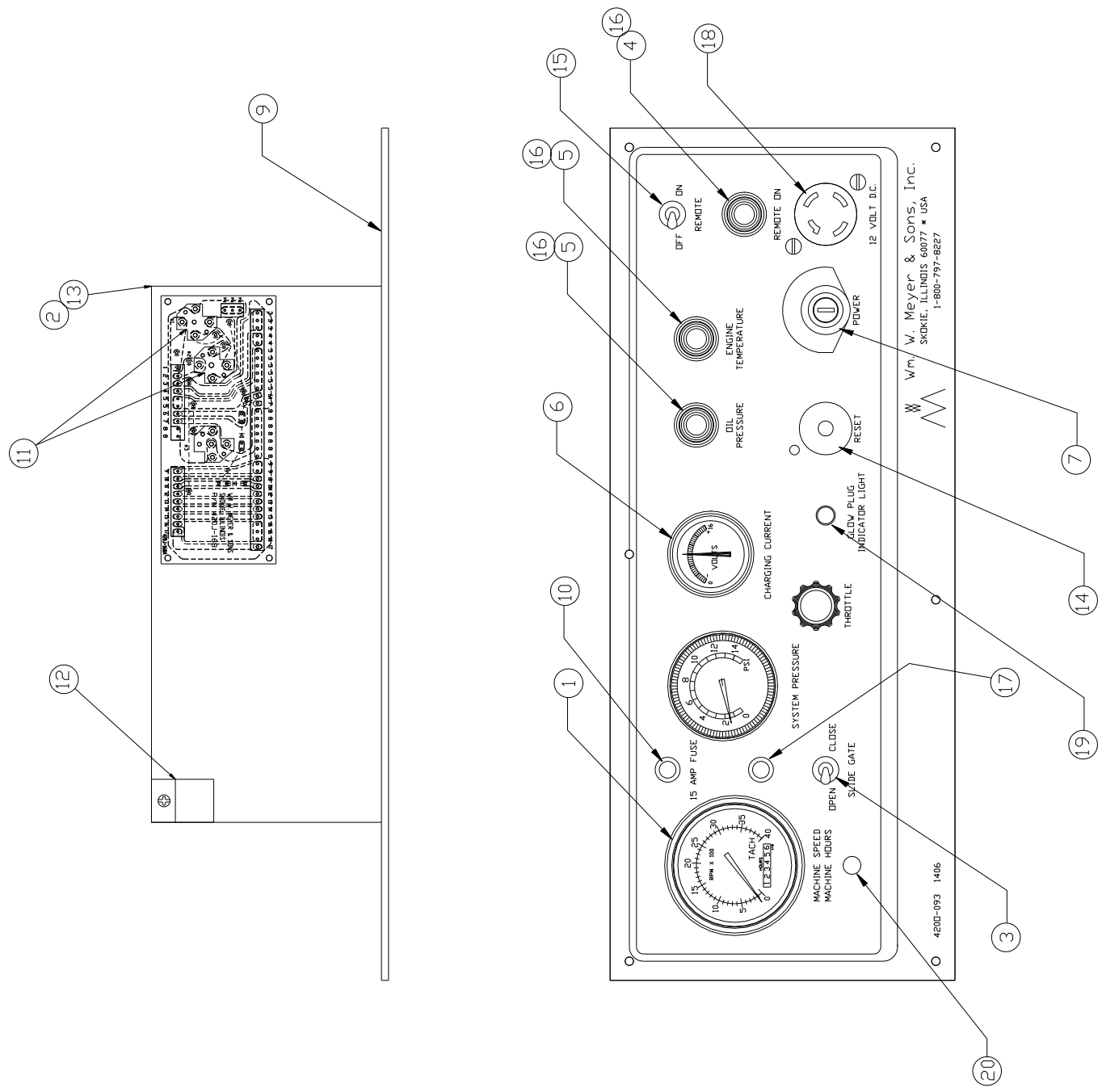
WM. W. MEYERS & SONS, INC.
 SKOKIE, ILLINOIS

ENGINE ASSEMBLY
 1408 I B

OUR S.O. NO.	DATE	DRAWN	TCD	DATE	DRAWING NUMBER
	5-18-00				4200-117

SCALE 1/8

MATERIAL LIST			
ITEM	PART NO.	DESCRIPTION	QTY.
1	4500-031	TACHOMETER / HOURMETER	1
2	420J-168	PRINTED CIRCUIT BOARD	1
3	450HR005	TOGGLE SWITCH	1
4	450HF015	AMBER PILOT LIGHT	1
5	450HF013	RED PILOT LIGHT	2
6	4500-136	VOLT METER	1
7	450U-172	IGNITION STARTER SWITCH	1
8	420J-170A	1406 WIRING SCHEMATIC	1
9	4200-091	1406 CONTROL PANEL WELDMENT	1
10	450HC013	15 AMP CIRCUIT BREAKER	1
11	450HE004	12V SPST RELAY	2
12	450U-175	LAMP TIMER	1
13	450HA156	STANDOFF	4
14	450U-174	MURPHY SWITCH	1
15	450HR003	TOGGLE SWITCH	1
16	450HF014	14 V LAMP	3
17	450HC014	20 AMP CIRCUIT BREAKER	1
18	450HN020	RECEPTACLE 4 WIRE 4 POLE	1
19	*450U-173	GLOW PLUG INDICATOR LAMP	1
20	450K-119	PLUG	1



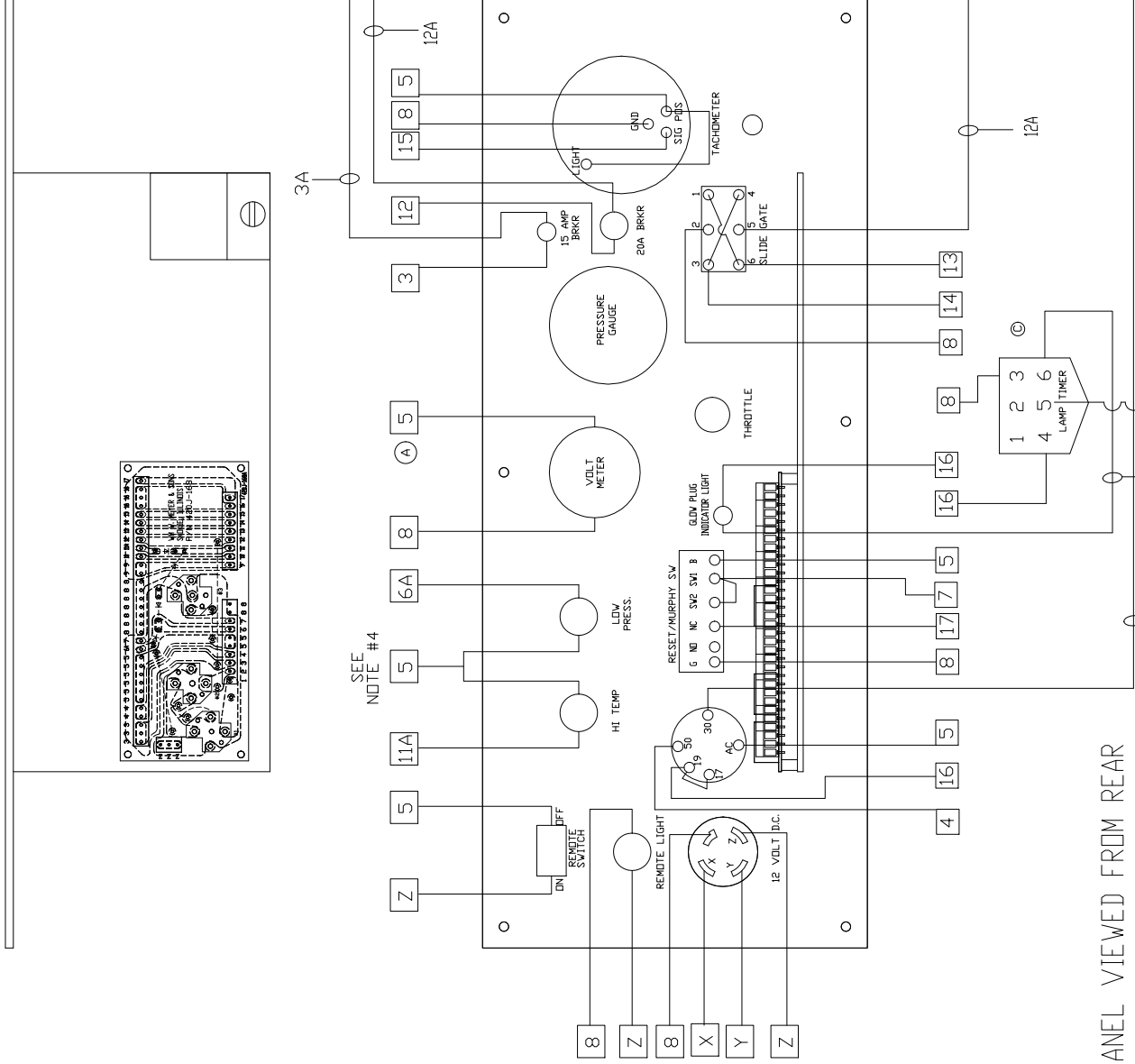
A	2-22-06	REVISED PCB LOCATION	MRG
REVISIONS			
WM. W. MEYER & SONS, INC. SKOKIE, ILLINOIS			
1406 CONTROL PANEL ASSEMBLY			
OUR S.O. NO.		REF. S.O. NO.	
DRAWN	G.JL	DATE	5-16-03
APPROVED	MRD	SCALE	1/2
		DRAWING NUMBER	420J-170

4200-093

Z	Z	Z	3	3A	3	4	4	5	5	5	5	5	5	5	5	5	5	6A	7	8	8	8	8	8	8	8	8	8	8	9	9	9	10	11A	12	13	14	15	15	16	16A	16	17	6										

WIRING NOTES:

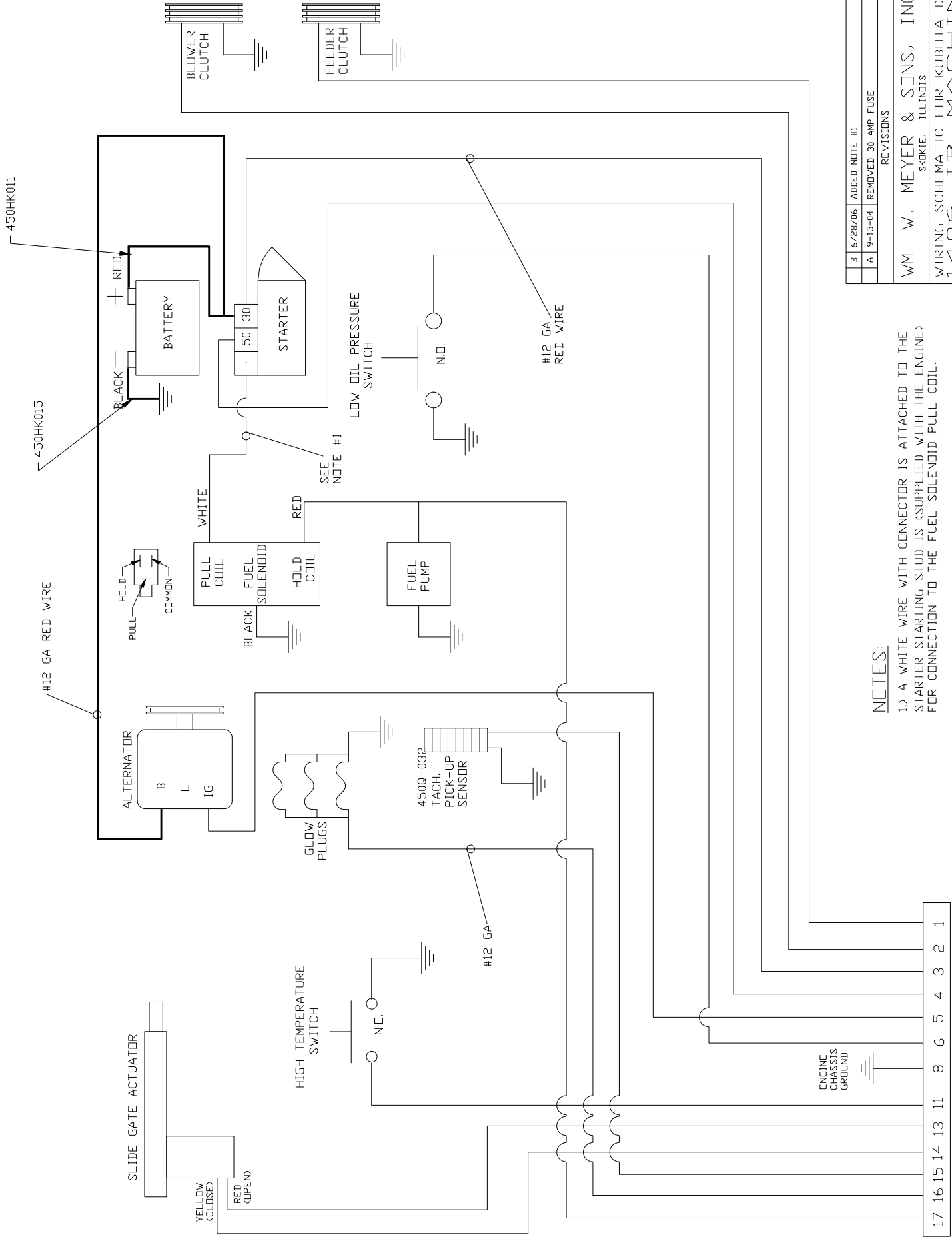
- ALL WIRES ARE #16 AWG.
- SEE DWG 420J-170 FOR BOM.
- ALL WIRE NUMBERS ARE THE SAME AS TERMINALS. WIRE #8 IS #16 AWG GREEN
- USE JUMPER TO COMBINE BOTH WIRES INTO SINGLE ONE.



PANEL VIEWED FROM REAR

D	2-22-06	REVISED PCB LOCATION	MRG
C	2-17-04	RETRAW LAMP TMR	GJL
B	1-23-04	ADD WIRE LENGTHS	GJL
A	9-3-03	TERM #5 WAS TERM #3, ADDED NOTE #4	NV
REVISIONS			

WM. W. MEYER & SONS, INC.
 SKOKIE, ILLINOIS
1406 CONTROL PANEL ASSEMBLY
CONTROL PANEL WIRING
 OUR S.O. NO. REF. S.O. NO.
 DRAWN GJL DATE 5-19-03 DRAWING NUMBER
 APPROVED SCALE 1/2 420J-170A



NOTES:

- 1.) A WHITE WIRE WITH CONNECTOR IS ATTACHED TO THE STARTER STARTING STUD IS (SUPPLIED WITH THE ENGINE) FOR CONNECTION TO THE FUEL SOLENOID PULL COIL.

B	6/28/06	ADDED NOTE #1	MRG
A	9-15-04	REMOVED 30 AMP FUSE	NV
REVISIONS			
WM. W. MEYER & SONS, INC.			
SKOKIE, ILLINOIS			
WIRING SCHEMATIC FOR KUBOTA D905			
1406 I B MACHINE			
OUR S.O. NO.	REF. S.O. NO.	DRAWING NUMBER	420J-170B
DRAWN G.J.L.	DATE 5-21-03	SCALE	NONE
APPROVED			

SK-417G

