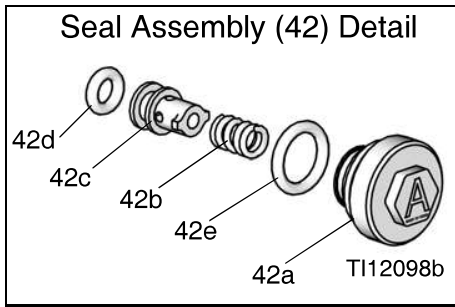
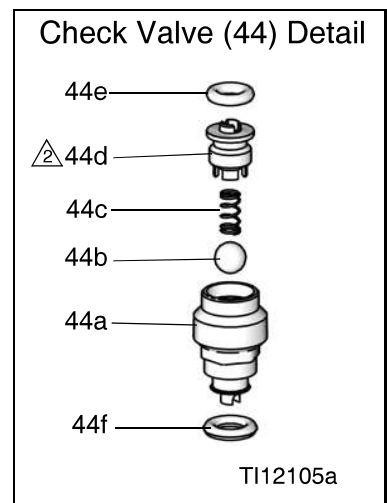
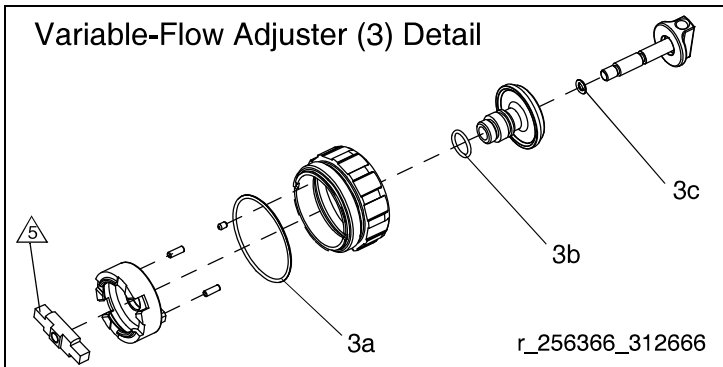
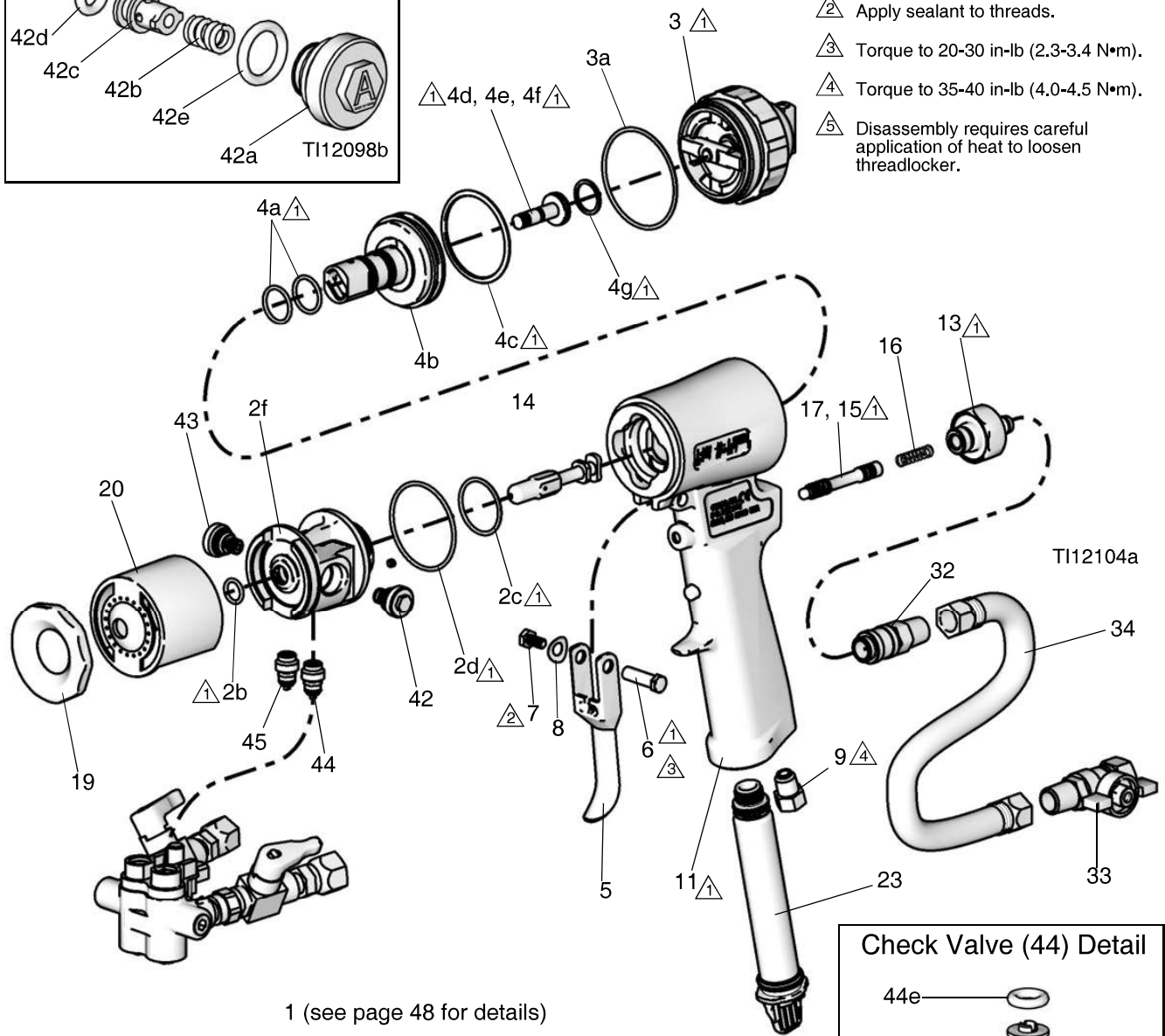


Parts



- △1 Apply light coating of Fusion grease (31).
- △2 Apply sealant to threads.
- △3 Torque to 20-30 in-lb (2.3-3.4 N•m).
- △4 Torque to 35-40 in-lb (4.0-4.5 N•m).
- △5 Disassembly requires careful application of heat to loosen threadlocker.



Parts

Ref.	Part	Description	Qty.	Ref.	Part	Description	Qty.
				16	117485	SPRING, compression	1
1	256466	MANIFOLD, hose, assy.	1	17	256455	VALVE, spool; includes 15	1
1a		MANIFOLD	1	19	256414	RETAINER, cover (pack of 5)	1
1d	15B221	BOLT; 5/16-24	3	20	✱256415	COVER, front, round, tip (pack of 5)	1
1e	100139	PLUG, pipe	1		✱256416	COVER, front, flat, tip (pack of 5)	1
1f	117634	SWIVEL, union; #6 JIC	1	21✱*		TIP, spray	1
1g	117635	SWIVEL, union	1	23★	256385	KIT, clearshot cartridge (pack of 25)	1
1h	256460	VALVE, ball, resin	1	25❖		TOOL, cleanout	1
1j	256459	VALVE, ball, iso	1	26❖		TOOL, cleanout	1
1k	15U395	ADAPTER, male x female; 1/8 npt	2	27❖		TOOL, cleanout, #69	
1m‡	16G500	HANDLE, valve, shut-off, ISO	1	28	117661	PIN, vise	1
1n‡	16G501	HANDLE, valve, shut-of, RES	1	31†	118665	GREASE, Fusion; 4 oz	1
1p	118123	SCREW, set, socket with patch	1	32	117510	COUPLER, line, air; 1/4 npt	1
1r	24W375	KIT, repair, handle, valve	1	33	15B565	VALVE, ball	1
2	256457	HOUSING, fluid, assy; includes 2b-2f and 42-45	1	34	15B772	HOSE, air; 18 in.	1
2b✓	248648	O-RING (pack of 6)	1	35	112307	ELBOW, street	2
2c✓	256773	O-RING (pack of 6)	1	36	117642	NUT DRIVER	1
2d✓	248132	O-RING (pack of 6)	1	37	118575	SCREW DRIVER, 1/8 blade	1
2f		HOUSING	1	38▲	172479	TAG, instruction	1
3	256456	ADJUSTER, variable-flow	1	39▲	222385	TAG, warning	1
3a✓	256774	O-RING (pack of 6)	1	40	256641	MANIFOLD, flush; includes 1d, 49, and 50.	1
3b	257426	O-RING (pack of 6)	1	41	256642	KIT, inlet cap; includes 1d	1
3c	257425	O-RING (pack of 6)	1	42 ~	257429	KIT, side seal, Fusion CS, ISO	1
4	256454	PISTON, assy.	1	42a		HOUSING, seal, side	1
4a✓	256772	O-RING (pack of 6)	2	42b	256923	SPRING, compression (pack of 10)	1
4b		PISTON	1	42c*	256464	SEAL, side; includes 42d	1
4c✓	256775	O-RING (pack of 6)	1	42d✓	256467	O-RING (pack of 6)	1
4d		O-RING	3	42e✓	256468	O-RING (pack of 6)	1
4e	257424	PISTON, dosing, assy; includes 4d and 4f	1	43 ~	257430	KIT, side seal, Fusion CS, RES	1
4f	257426	O-RING (pack of 6)	1	43a		HOUSING, seal, side	1
4g	121642	RING, retaining, internal spiral	1	43b	256923	SPRING, compression	1
5	15B209	TRIGGER	1	43c*	256464	SEAL, side; includes 43d	1
6	192272	PIN, pivot	1	43d✓	256467	O-RING (pack of 6)	1
7	203953	SCREW; 10-24 x 3/8 in. (10 mm)	1	43e✓	256468	O-RING (pack of 6)	1
8	15C480	WASHER, wave	1				
9	121540	PLUG, breather	1				
11	256458	HANDLE, kit; includes ref. 12	1				
13	15T897	PLUG, air valve	1				
14❖		CHAMBER, mix	1				
15		O-RING	5				

Parts

Ref.	Part	Description	Qty.
44◆	257422	KIT, valve, check, a side; includes 44a-44f	1
44a	257427	HOUSING, check valve, a side (pack of 10)	1
44b	257420	BALL; carbide (pack of 10)	1
44c	257419	SPRING, compression (pack of 10)	1
44d	257421	RETAINER, ball (pack of 10)	1
44e✓	246354	O-RING (pack of 6)	1
44f✓	256771	O-RING (pack of 6)	1
45◆†	257423	KIT, valve, check, b side; includes 45a-45f	1
45a	257428	HOUSING, check valve, b side (pack of 10)	1
45b	257420	BALL; carbide (pack of 10)	1
45c	257419	SPRING, compression (pack of 10)	1
45d	257421	RETAINER, ball (pack of 10)	1
45e✓	246354	O-RING (pack of 6)	1
45f✓	256771	O-RING (pack of 6)	1
46⊕	256567	RETAINER, tip	1
47⊕✿	246360	O-RING; PTFE (pack of 3)	1
49	100721	PLUG, pipe	1
50	117509	FITTING, air line; 1/4 npt	1
51•	25A677	VALVE, check, a side	1
51a		HOUSING, a side	1
51b✓	256469	O-RING (pack of 6)	1
51c		SCREEN, filter (see page 52)	1
51d	113876	SPRING	1
51e	25A679	BALL, check (pack of 10)	1
51f	25A680	RETAINER, ball check	1
52•†	25A678	VALVE, check, b side	1
52a		HOUSING, b side	1
52b✓	256469	O-RING (pack of 6)	1
52c		SCREEN, filter (see page 52)	1
52d	113876	SPRING	1
52e	25A679	BALL, check (pack of 10)	1
52f	25A680	RETAINER, ball check	1

▲ Replacement Danger and Warning labels, tags, and cards are available at no cost.

† Not shown.

✕ Wide and round pattern models only.

⊕ Flat pattern models only.

❖ See tables on page 47 for kit number.

✓ Also included in o-ring repair kit(s); see page 51.

★ ClearShot Liquid cartridges also available in packages of 50 and 100. See **Accessories**, page 55.

* Side seals also available in packages of 2 and 20. See **Accessories**, page 55.

✿ Also included in Kits FL0000, FL0101, FL0202, and FL2020.

◆ Parts included in kit 256461.

* See **Flat Tip Kits**, page 50, for part number.

‡ Replacement handles are available in Kit 24W375.

• Parts included in kit 256462.

~ Parts included in kit 256463.

Wide and Round Pattern Models Varying Parts Table

Model	Reference Number			
	14	25	26	27
CS00WD	Order Kit WD0000			
CS01WD	Order Kit WD0101			
CS02WD	Order Kit WD0202			
CS03WD	Order Kit WD0303			
CS22WD	Order Kit WD2222			
CS01RD	Order Kit RD0101			
17S890	Order Kit RD4747			
CS02RD	Order Kit RD0202			
CS03RD	Order Kit RD0303			
CS20RD	Order Kit RD2020			
CS00RD	Order Kit RD0000			

Flat Pattern Models Varying Parts Table

Model	Reference Number			
	14	25	26	27
CS00F1	Order Kit FL0000			
CS00F2	Order Kit FL0000			
CS00F3	Order Kit FL0000			
CS00F4	Order Kit FL0000			
CS00F5	Order Kit FL0000			
CS00F6	Order Kit FL0000			
CS01F1	Order Kit FL0101			
CS01F2	Order Kit FL0101			
CS01F3	Order Kit FL0101			
CS01F4	Order Kit FL0101			
CS01F5	Order Kit FL0101			
CS01F6	Order Kit FL0101			
CS02F1	Order Kit FL0202			
CS02F2	Order Kit FL0202			
CS02F3	Order Kit FL0202			
CS02F4	Order Kit FL0202			
CS02F5	Order Kit FL0202			
CS02F6	Order Kit FL0202			
CS20F1	Order Kit FL2020			
CS20F2	Order Kit FL2020			

Convert Round Pattern to Flat Pattern

To convert a round pattern gun to a flat pattern gun, order the following parts.

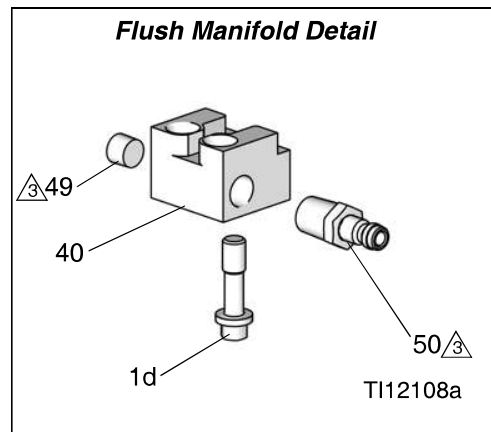
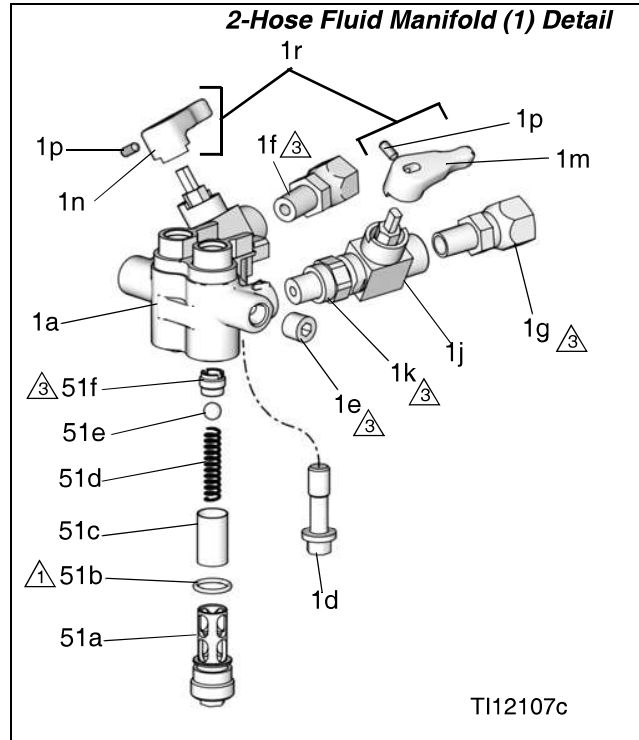
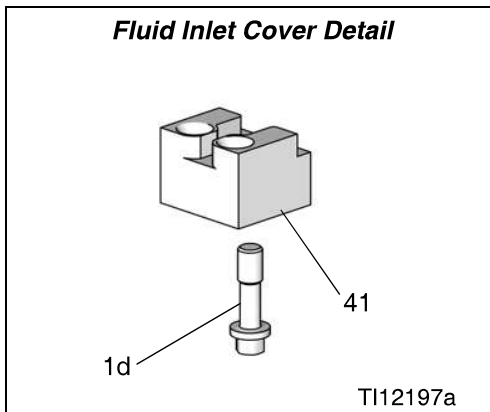
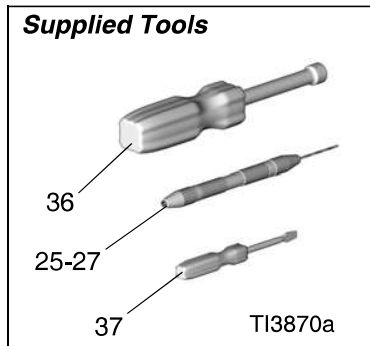
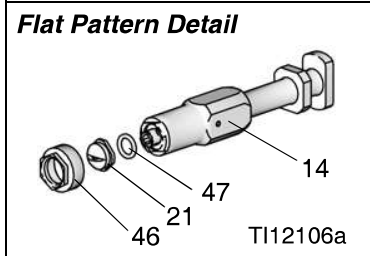
Ref.	Part	Description	Qty.
14	FLxxxx	CHAMBER, mix; see Flat Pattern Mix Chamber Kits , page 50	1
20	256416	COVER, front, flat, tip (pack of 5)	1
21	FTxxxx	TIP, spray; see Flat Tip Part Reference Guide , page 50	1
46	256567	RETAINER, tip	1

Convert Flat Pattern to Round Pattern

To convert a flat pattern gun to a round pattern gun, order the following parts.

Ref.	Part	Description	Qty.
14	RDxxxx	CHAMBER, mix; see Round Pattern Mix Chamber Kits , page 49	1
	WDxxxx	CHAMBER, mix; see Wide Pattern Mix Chamber Kits , page 49	
20	256415	COVER, front, round, tip (pack of 5)	1

Detail Views



- △ Apply lubricant to seals.
- △ Apply sealant to threads.